

SL19 / SL26 / SL36 / SL50

Coolbeam Spotlights 575W

Excellent light output, superb distribution and the smoothest soft edge while maintaining beam size. Sharp gobo, edge and shutter focus.

Very compact and narrow with the smallest dimensions in their category. Easy to use and maintain with many features for increased safety.



Features

- High efficiency dichroic glass reflector and coated aspheric computer-designed lenses
- Coolbeam operation for extended gobo, shutter and gel life
- Optimized for energy efficient, high performance GLC 575W lamps; GLA long life lamps also available
- Fast and easy lamp centering with positive screw driver lock so that it won't move in transit
- Fast positive peak/flat adjustment via screw drive mechanism for smooth, tool-free field settings
- Bayonet action lamp changing system for simple lamp changes without affecting field setting
- Compact and lightweight, allowing closer hanging in tighter spaces
- Smooth 360° body rotation for quick and easy gobo and shutter positioning
- Shutters in three planes for triangular shutter cut
- Highly versatile rigging by combining 360° rotation with two balance positions for yoke
- Large rear handle for easy positioning
- Quick and easy access for reflector and lens cleaning
- Common lamp house with easily interchangeable tubes
- Wide gate will fit 2 gobo holders, including glass gobo holder, drop-in iris or rotating gobo holder
- Safety cable attachment point for the luminaire and accessories
- UL, cUL listed

SPECIFICATION SUBMITTAL

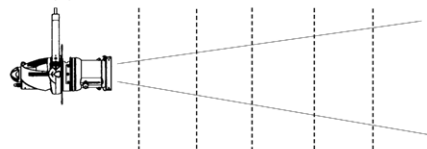
CONSULTANT <input type="text"/>	PROJECT NAME: <input type="text"/>	MODEL NUMBER QUANTITY: <input type="text"/> <input type="text"/> <input type="text"/> <input type="text"/> <input type="text"/> <input type="text"/> <input type="text"/> <input type="text"/>
DATE: <input type="text"/>	PROJECT NUMBER: <input type="text"/>	APPROVED BY: <input type="text"/>

Photometric data

Typical performance based on: 575W GLC 115V lamp

SL19

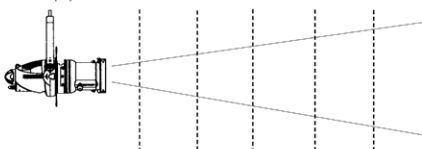
Distance (ft)	35	40	45	50	55
Beam Ø (ft)	11.7	13.4	15.1	16.7	18.4
Illum (fc)	184	141	111	90	74



Beam candle power (cd) 225,000

SL26

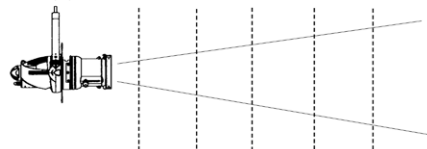
Distance (ft)	25	30	35	40	45
Beam Ø (ft)	11.5	13.9	16.2	18.5	20.8
Illum (fc)	310	216	158	121	96



Beam candle power (cd) 194,000

SL36

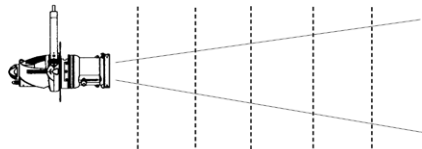
Distance (ft)	20	25	30	35	40
Beam Ø (ft)	13	16.2	19.5	22.7	26
Illum (fc)	218	139	97	71	54



Beam candle power (cd) 87,000

SL50

Distance (ft)	15	20	25	30	35
Beam Ø (ft)	14	18.7	23.3	28	32.6
Illum (fc)	227	128	82	57	42

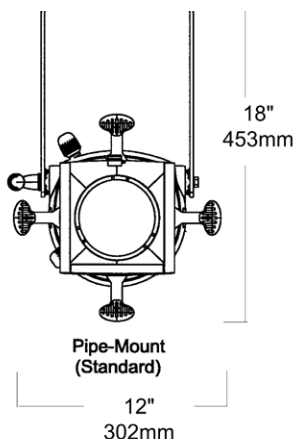
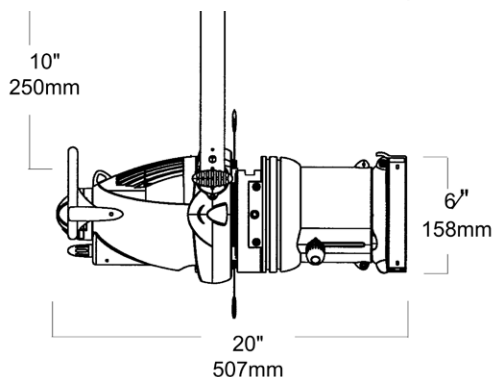


Beam candle power (cd) 51,000

Performance at any distance: divide beam candle power by distance²

For beam diameter at any distance:

- 19° multiply 0.32 x distance
- 26° multiply 0.46 x distance
- 36° multiply 0.64 x distance
- 50° multiply 0.93 x distance



Weights and Dimensions

Weight	15 lb
Packed weight	20½ lb
Packed volume	2½ cu ft
Filter cut size	6¼" x 6¼"

Operational features

Focus adjustment: By moving the burner assembly using a simple screw drive mechanism.

Lamp Adjustment: Lamp centering by use of a screwdriver

Electrical & Mechanical data

Construction: Die cast aluminum housing with black epoxy powder coat. Stainless steel shutters.

Gate: Plated steel

Lenses: Crown glass coated aspheric lens

Lamp:

TP22 medium 2-pin base	
GLC	400 hours 3200°K
GLA	1500 hours 3100°K

Supply voltage: 115-230V, 50/60 Hz

Standards compliance: UL, cUL listed

Max operating ambient temperature:
115°F/45°C

Ordering Information

Cat No Description

Supplied complete with 3 ft cable with bare ends (be) or fitted connector as specified, color frame, 360° rotation yoke & C-clamp.

11321	SL19, 115V, be
11331	SL26, 115V, be
11341	SL36, 115V, be
11351	SL50, 115V, be

For connector options please specify GR, GP, or GTL when ordering.

Optional Accessories

18045	Gobo holder size B
18049	Iris (24 leaf)
18114	Color frame
18403	19° lens tube
18404	26° lens tube
18405	36° lens tube
18406	50° lens tube

Strand Lighting, Inc. Strand Lighting Europe Limited

6603 Darin Way
Cypress, CA 90630
Tel: (714) 230-8200
Fax: (714) 899-0042

Unit 2 Royce Road, Fleming Way
Crawley, West Sussex RH10 9JY
Tel: + 44 (0) 1293 554010
Fax: + 44 (0) 1293 554019

Strand Lighting Asia Limited

20/F Delta House,
3 On Yiu Street
Shatin, N.T. Hong Kong
Tel: +852 2757 3033
Fax: +852 2757 1767

www.strandlighting.com

© Philips Group 2008
All rights reserved.
The Company reserves the right to make any variation in design or construction to the equipment described. E&OE